



Masdar Elemar
International

COMPANY PROFILE

2024





Everything About Us

Masder Company is one of the well-known companies operating in Iraq in several aspects and sections.

Masder Company is one of the well-known companies operating in Iraq in several aspects and sections: inter alia in terms of petroleum, construction, General Trading and Engineering service. Masder Elemar Co. has a technical, administrative and engineering with distinctive and multiple experiences staff.

The company has been submitted by the General Manager Mr. Ausama Shumran Hmod " with a budget of 1,000,000,000 Iraqi dinars (approximately 850 million US dollars), also its registered in several ministries and department Iraq :



Registered with Ministries

- The Iraqi Ministry of Trade / Department Registrar of Companies.
- The Iraqi Ministry of Planning
- The Iraqi Ministry of Oil / Drilling and Rehabilitation of oil fields Department.
- The Central Bank of Iraq.
- The General Commission for Taxes Federation of Iraq Chambers of Commerce.
- The chamber of Trading in Wassit city. Headquarters lawyers.
- Department of pension and social security.
- Documentation and Information Department.

CV

Where Masder Al-Eemar Co. for General Trading & Construction & human development and technical personnel in various fields service for the benefit of our dear country.



*You Name it
We'll have it
for You*

Where Masder Al-Eemar Co. for General Trading & Construction & human development and technical personnel in various fields service for the benefit of our dear country.

The Company address : IRAQ, WASSIT, AL-KUT city, ALHORA street, nearby education office.

Masder Al Eemar company had Contracted and worked with several international oil companies and sober ones like :

PETRO CHINA, BP, GAZ-PROM, ZPEC, DNO, ALWAHA PETROLEUM COMPANY, SHELL & MDOC

High Quality Petroleum Products

Masdar Elemar International provides high quality products to petroleum industry as per required specifications.



*You Name it
We'll have it*

We obtained Certifications to fulfil industry requirements to meet industry standard



We obtained Certifications to fulfil industry requirements to meet industry standard



Services

The goal of Masder Al-Eemar Co. is to provide value to their clients, by offering high-quality, tailored services that meet their clients' needs, and continuously improve the services provided.



*Authorized
Services
Provider*

Masder Al-Eemar Co. as a service provider is to offer a service or set of services to our clients that meets their needs and exceeds their expectations. This can include a wide range of services.

Building long-term relationships with clients: Masdar Elemar often strive to build trust and loyalty with our clients, so that we may continue to provide services over time.

Continuously improving services: Masdar Elemar want to continuously improve its services, so that we can stay competitive and meet the changing needs of our clients.

Our Services

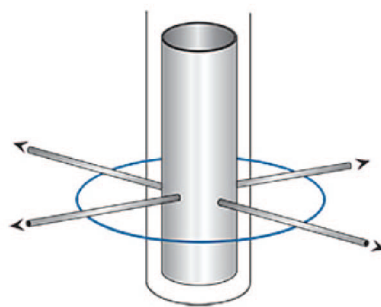
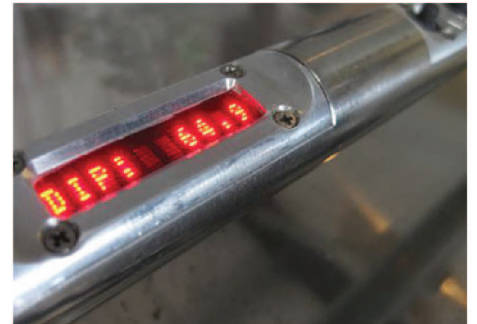
- Workover and well services (W/O unit and related services, rentals)
- Training service with certificate
- Rig inspection with (API)
- Fishing, liner hanger.
- Completions (SPM, NF, ALS, perforations, testing RTTS, PT packer) services.
- Coiled tubing services (Nitrogen, Flow back equipment, Pumping services).
- Slickline services (running GLVs, shifting SSD, punching, MPLT (survey), etc)
- Casing & Tubing Tubular Running Services
- Handling tools on rental.
- API Casing & Tubing Lubricants.
- Casing Access., Centralizers & Stops.
- Solid Control & Waste Management, Filtration unit



Services

Masdar Elemar International is staffed and supervised by qualified and comprehensive engineers with extensive experience in the field of petroleum and civil engineering who are familiar with the changing patterns and strategies in the business.

Radial Drilling





Services

Masdar Elemar International is staffed and supervised by qualified and comprehensive engineers with extensive experience in the field of petroleum and civil engineering who are familiar with the changing patterns and strategies in the business.

Workover Drilling Rig





Human Resource

Masder Company is a specialized human resource consulting firm dedicated to serving the unique needs of companies operating in the oil field industry.

With more than 20 years of experience navigating the complex challenges of this demanding sector, we provide comprehensive and industry-specific solutions for all your talent management needs.

HR Services

Recruitment & Staffing:

We source top talent across all oil field disciplines, from engineers and geologists to rig operators and safety professionals. Our extensive network and deep understanding of industry requirements ensure we deliver qualified candidates who meet your specific needs.

Talent Acquisition Strategies:

We develop customized talent acquisition strategies tailored to your unique hiring goals and challenges. This includes building talent pipelines, employer branding initiatives, and targeted recruitment campaigns.





Human Resource

Masder Company is a specialized human resource consulting firm dedicated to serving the unique needs of companies operating in the oil field industry.

With more than 20 years of experience navigating the complex challenges of this demanding sector, we provide comprehensive and industry-specific solutions for all your talent management needs.

HR Services

Onboarding & Retention:

We help you create a smooth onboarding experience that fosters employee engagement and reduces turnover. Our retention programs are designed to keep your key talent motivated and loyal.

Training & Development:

We offer a wide range of training programs specific to the oil field industry, focusing on safety, technical skills, leadership development, and compliance.





Human Resource

Masder Company is a specialized human resource consulting firm dedicated to serving the unique needs of companies operating in the oil field industry.

With more than 20 years of experience navigating the complex challenges of this demanding sector, we provide comprehensive and industry-specific solutions for all your talent management needs.

HR Services

Compensation & Benefits:

We stay up-to-date on industry compensation trends and help you design competitive compensation and benefits packages to attract and retain top talent.

Compliance & Regulations:

We ensure your HR practices comply with all relevant local, national, and international regulations.

Global Reach:

We operate in major oil and gas producing regions around the world, providing localized expertise and seamless international HR support.





Human Resource

What Makes Us Different

Industry Expertise:

Our team consists of experienced HR professionals with in-depth knowledge of the oil field industry, its unique challenges, and its workforce demographics.

Safety-First Culture:

We understand the critical importance of safety in the oil field industry and incorporate it into all our HR practices.

Technology-Driven Solutions:

We leverage cutting-edge HR technologies to streamline processes, improve efficiency, and deliver better results.

Client-Centric Approach:

We build strong partnerships with our clients, taking the time to understand their specific needs and goals.

Global Network:

Our extensive global network allows us to source talent and provide HR support anywhere in the world.





Construction

Masdar Elemar International is staffed and supervised by qualified and comprehensive engineers with extensive experience in the field of petroleum and civil engineering who are familiar with the changing patterns and strategies in the business.

Living Camps





Construction

Masdar Elemar International is staffed and supervised by qualified and comprehensive engineers with extensive experience in the field of petroleum and civil engineering who are familiar with the changing patterns and strategies in the business.

Office Construction

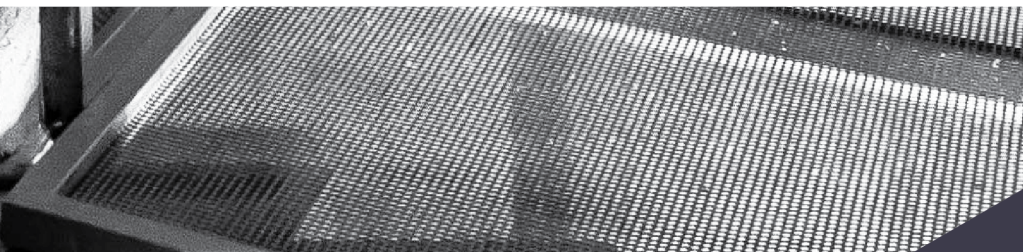




Construction

Masdar Elemar International is staffed and supervised by qualified and comprehensive engineers with extensive experience in the field of petroleum and civil engineering who are familiar with the changing patterns and strategies in the business.

Gardens & Sports Yard





Construction

Masdar Elemar International is staffed and supervised by qualified and comprehensive engineers with extensive experience in the field of petroleum and civil engineering who are familiar with the changing patterns and strategies in the business.

Professional Hard Workers

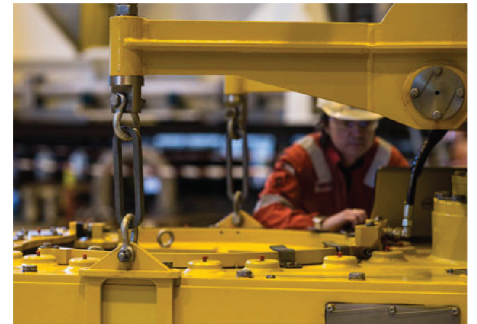




Engineering

Masdar Elemar International is staffed and supervised by qualified and comprehensive engineers with extensive experience in the field of petroleum and civil engineering who are familiar with the changing patterns and strategies in the business.

Casing Running Tool (CRT)



Virtual Thread Rep (VTR)

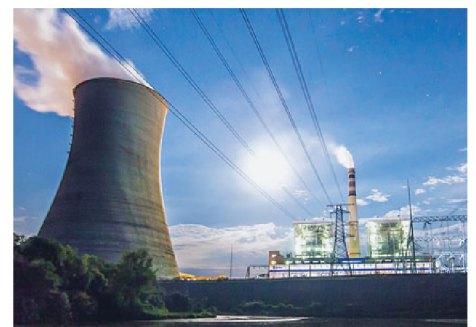




Engineering

Masdar Elemar International is staffed and supervised by qualified and comprehensive engineers with extensive experience in the field of petroleum and civil engineering who are familiar with the changing patterns and strategies in the business.

Electric Generation

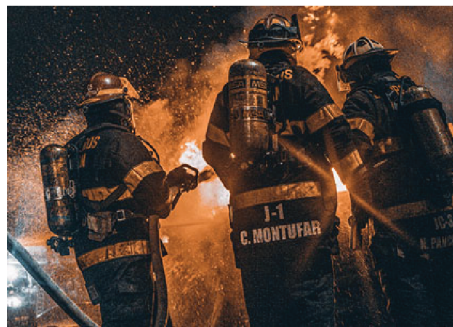




General Trading

Masdar Elemar International is staffed and supervised by qualified and comprehensive engineers with extensive experience in the field of petroleum and civil engineering who are familiar with the changing patterns and strategies in the business.

Fire Extinguisher





General Trading

Masdar Elemar International is staffed and supervised by qualified and comprehensive engineers with extensive experience in the field of petroleum and civil engineering who are familiar with the changing patterns and strategies in the business.

HCL, Pantonite Chemical





General Trading

Masdar Elemar International is staffed and supervised by qualified and comprehensive engineers with extensive experience in the field of petroleum and civil engineering who are familiar with the changing patterns and strategies in the business.

Oil Well Cement

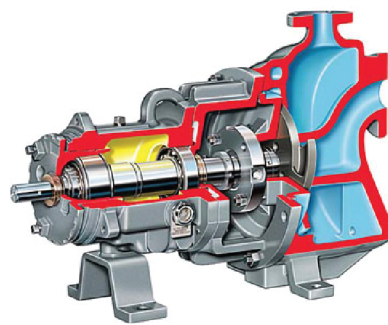
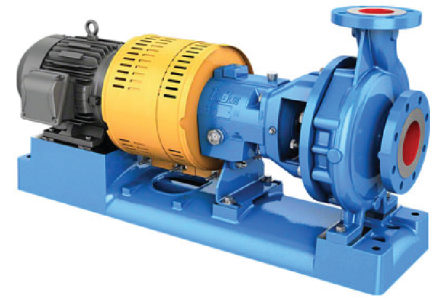




General Trading

Masdar Elemar International is staffed and supervised by qualified and comprehensive engineers with extensive experience in the field of petroleum and civil engineering who are familiar with the changing patterns and strategies in the business.

Pumps

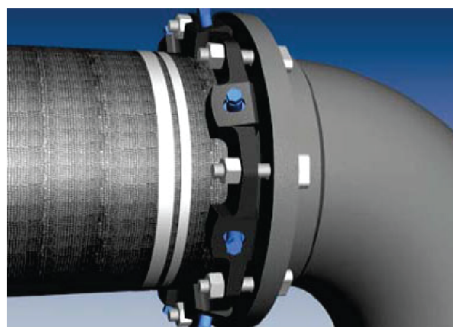
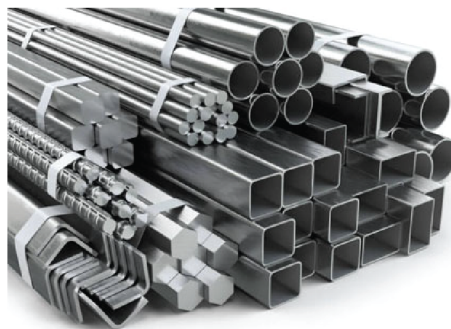




General Trading

Masdar Elemar International is staffed and supervised by qualified and comprehensive engineers with extensive experience in the field of petroleum and civil engineering who are familiar with the changing patterns and strategies in the business.

Iron Pipes





General Trading

Masdar Elemar International is staffed and supervised by qualified and comprehensive engineers with extensive experience in the field of petroleum and civil engineering who are familiar with the changing patterns and strategies in the business.

PVC & PPR Pipes





General Trading

Masdar Elemar International is staffed and supervised by qualified and comprehensive engineers with extensive experience in the field of petroleum and civil engineering who are familiar with the changing patterns and strategies in the business.

Geophone





Construction

Masdar Elemar International is staffed and supervised by qualified and comprehensive engineers with extensive experience in the field of petroleum and civil engineering who are familiar with the changing patterns and strategies in the business.

IT & Security

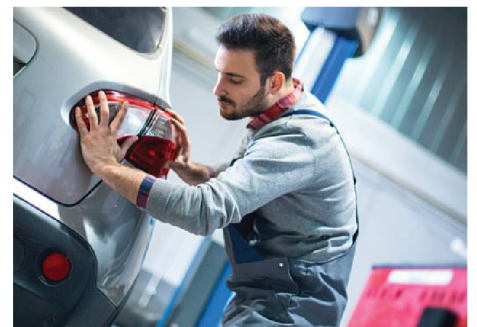




Construction

Masdar Elemar International is staffed and supervised by qualified and comprehensive engineers with extensive experience in the field of petroleum and civil engineering who are familiar with the changing patterns and strategies in the business.

Auto Spare Parts





Suliamayah

Germany Village
Building K, F2, Office 4
tel:+9647810080433
tel:+9647733730990
tel:+9647801543408

Erbil

Italy City 1, Office 655
tel:+9647810080433
tel:+9647801543408

Missan

Omarah, Ouashah, Nearby
Tax Office
tel:+9647810080433
tel:+9647801543408

U.A.E. Dubai

7WB 1074, Dubai Airport Freezone
P.O. Box: 371225, Dubai – U.A.E.
tel: +97142533478
tel: +971563519649

Baghdad

Jaderyah, Nearby Baghdad
University
tel:+9647810080433
tel:+9647801543408

Baghdad

Karada – Karada Dakhel
tel:+9647810080433
tel:+9647733730990
tel:+9647801543408

Basra

Al Jazzier Street, Nearby
Al Jazzier Park
tel:+9647810080433
tel:+9647733730990
tel:+9647801543408

Middle of Iraq

Head Office: Wassit – Al – Kut
Al Horra St. Iraq
tel:+9647810080433
tel:+9647801543408

info@masdareleamar.com

www.masdareleamar.com